

Industrial Network Projects

4 Port DVI KVM Switch with Remote Control



TCVM-KSW14005-16



EAN: 4260497579984
ArtikelNo.: 10001/2700



Description:

The TCVM-KSW14005-16 is our new type DVI KVM Switch with 4 ports. It supports remote control. With this TCVM-KSW14005-16 switch, you are able to control 4 PCs or other media devices which support DVI output and USB keyboard and mouse input with only 1 set of keyboard, mouse and monitor. Support hot plug and don't need to install any driver, it is easy to switch devices by panel keys, remote control, keyboard hot key command, RS232 serial communication and LAN port (TGP) command

Specifications:

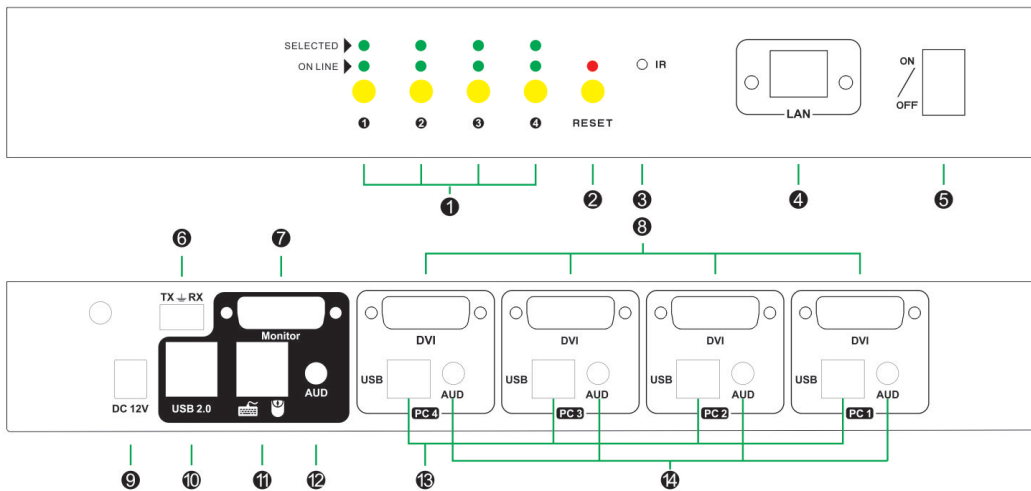
- Using only 1 set of keyboard , mouse and monitor to control 4 computers
- Support hot plug, connect or disconnect devices to the KVM switch in any time and without turn off devices
- Support auto switching to monitor computers in a specified time interval
- Support DVI 4 IN 1 OUT
- Support DVI audio in & out
- Support max resolution up 3840*2160 @24HZ 25HZ 30HZ
- Support mouse pointer drag screen edge twice switch input
- Support RS232 & Ethernet control. **Use of proprietary control software can be realized, if PIN occupancy is known**
- Support remote controller, IR control, keyboard hot keys , RS232 serial communication and LAN port command(TGP) to control KVM switch. PC driver software for remote control available
- EDID emulators per port
- Support two USB 2.0 port with extra standard USB 2.0 hub port , it is possible to connect bar code scanner, USB-hard drive or other USB devices to KVM just as you have plug these devices directly to computer
- With fixed USB connection with computers , no delay is introduced after switch computers
- Support Unix/Windows/Debian/Ubuntu/Fedora/Mac OS X/Raspbian /Ubuntu for Raspberry Pi and other Linux based system
- Dimensions: 308 x 150 x 44.5mm
- Weight: 0.72kg

Industrial Network Projects

4 Port DVI KVM Switch with Remote Control



Panel View:



- 1 Input source selection buttons and status
- 2 Reset button
- 3 IR receiver
- 4 Console interface for LAN
- 5 Power switcher
- 6 Console interface for RS232
- 7 DVI-D output port
- 8 DVI-D input port
- 9 DC 12V power supply
- 10 Standard USB2.0 hub
- 11 USB keyboard and mouse
- 12 L/R audio output
- 13 USB ports connected to PC
- 14 L/R audio input

Packing include:

- 1x 4 Port DVI KVM Switch
- 1x Power Supply (option) 12V 1A DC
- 1x English User Manual

Remark:

- Apple keyboard is not supported. For the usage of RS232 and LAN console port, please refer to the manual under control application software package.
- Pre configuration of IP address optional
- Increased EMC protection through coating removal at contact areas and additional conductive foam optional

More Information

- Test unit available on request

Order Information

TCCS Part-No.	Description
TCVM-KSW14005-16	4 Port DVI KVM with remote control